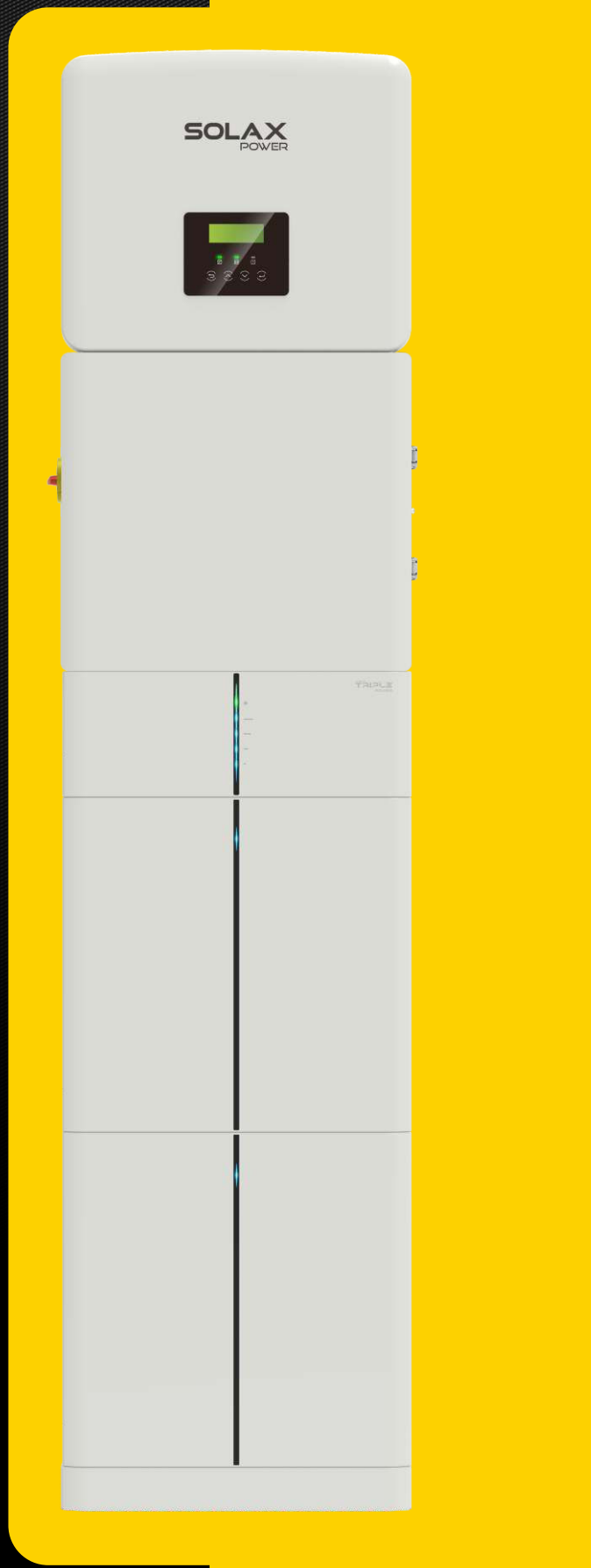




The 4th Generation Energy Storage System from Solax

X-ESS G4

SMARTER DESIGN
SMARTER ENERGY





X-ESS G4



SUPPORT 150% OVERSIZED PV POWER STORE EXCESS ENERGY TO BATTERY

SolaX's new X-ESS G4 can help you 100% usage of your daily solar energy with excess energy being stored in the Triple Power batteries for night or backup use.



HIGH RELIABILITY

Stable performance in harsh environment

- * Passed the HALT test
- * Extreme high and low temperature test
- * Salt spray test
- * Aging test with full working load



ELEGANT DESIGN

All-in-one home energy system
Blends in beautifully



1 PERSON 30 MINUTES INSTALLATION

Faster and easier installation



FAST BATTERY CHARGING SPEED

X-ESS G4 only takes ONE hour to fully charge the Triple Power battery.

With the shorter charging time, you can store more power in the same time period.



WORKING UNDER EXTREMELY COLD

Working in full load under extreme cold weather -30°C / -22°F

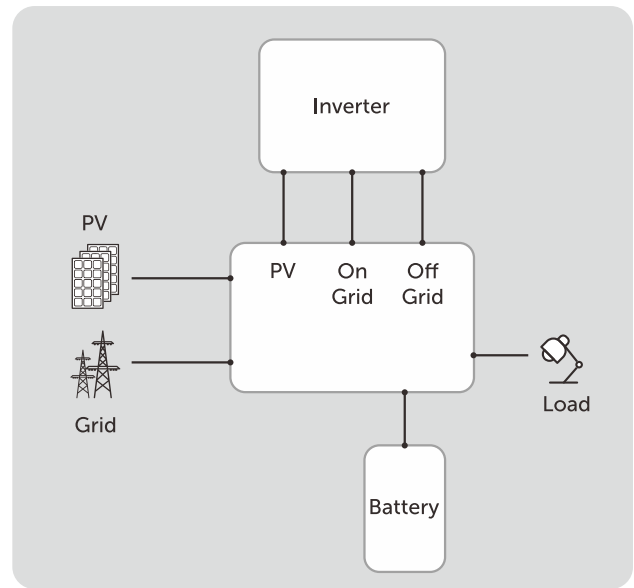
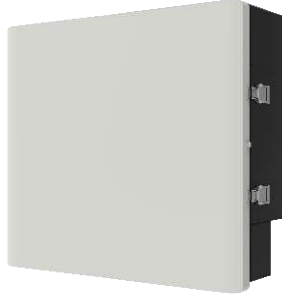


X1-Hybrid G4

	X1-Hybrid-3.0	X1-Hybrid-3.7	X1-Hybrid-5.0	X1-Hybrid-6.0	X1-Hybrid-7.5
INPUT (DC)					
Max.PV array power [Wp]	4500	5500	7500	9000	10000
Max.DC voltage [V]			600		
Nominal DC operating voltage [V]			360		
Max. input current (input A/input B) [A]			14/14		
Max. short circuit current (input A/input B) [A]			16/16		
MPPT voltage range[V]			70-550		
Start operating voltage[V]			90		
No. of MPP trackers/Strings per MPPT tracker			2/1		
INPUT AC					
Max. apparent AC power[VA]	6300	7360	9200	9200	9200
Max. AC current[A]	27.4	32	40	40	40
Nominal grid voltage(AC voltage range)[V]			220/230/240(180-270)		
Nominal grid Frequency/range[Hz]			50/60		
OUTPUT AC					
Nominal AC power [VA]	3000	3680	5000	6000	7500
Max. apparent AC power [VA]	3300	3680	5500(4600for DE 4999for AU)	6600	7500
Nominal grid voltage(AC voltage range) [V]			220/230/240(180-270)		
Nominal grid frequency/range [Hz]			50/60		
Max. AC current [A]	14.4	16	23.9(20 for DE/21.7 for AU)	28.6	32.6
Displacement power factor			0.8 leading...0.8 lagging		
THDi, rated power [%]			<2		
OUTPUT DC (BATTERY)					
Battery type			Li-ion / lead-acid		
Battery voltage range [V]			80-480		
Max.continuous charge/discharge current [A]			30		
Communication interfaces			CAN/RS485		
Reverse connect protection			Yes		
EPS OUTPUT (WITH BATTERY)					
EPS MAX. continuous apparent power [VA]	3000	3680	5000	6000	7500
EPS rated voltage[V],Frequency [Hz]			230, 50/60		
EPS MAX.continuous current [A]	13	16	21.7	26.1	32.6
EPS peak apparent power (rated)[%], Duration[s]			120% overload , 600		100%
Switching time [ms]			internal switch <10, external switch <100		
THDv, linear Load [%]			<2		
EFFICIENCY					
MPPT efficiency [%]			99.9		
Euro efficiency [%]			97.0		
Max. efficiency [%]			97.6		
Battery charge/discharge efficiency [%]			97.0/97.0		
POWER CONSUMPTION					
Standby consumption (Night) [W]			<3		
STANDARD					
Safety			IEC62109-1 / IEC62109-2		
EMC			EN 61000-6-1:2007/EN 61000-6-2:2005/EN 61000-6-3/EN 61000-6-4/EN61000-3-2/EN61000-3-3/EN61000-3-11/EN61000-3-12		
Certification			VDE 0126-1-1 A1:2012 / VDE4105:2018 /G99 /G98 / AS4777 / EN50549/ CEI 0-21 /RD661/RD1699/UNE206007-1/VDE0216/VFR2019		
ENVIRONMENT LIMIT					
Degree of protection(according to IEC60529)			IP65		
Operating temperature range [°C]			-35..... +60°C (derating at +45°C)		
Max. operation altitude [m]			<3000		
Humidity [%]			0~100 (no condensing)		
Storage temperature [°C]			-40..... +70°C		
Typical noise emission [dB]			<30		
DIMENSION AND WEIGHT					
Dimensions(WxHxD) [mm]			482*417*181		
Weight[kg]			22		23
Cooling concept			Natural cooling		Forced airflow
Topology			Non-isolated		
Communication interfaces			CT/Meter/External control RS485/Indoor LCD/Pocket Series(optional)/DRM/USB Upgrade		
LCD display			Yes		
Standard warranty [years]			10		

Matebox

For the new X-ESS G4, we get rid of the complicated wiring work by laying all the wires in the Matebox. All you need to do is just to install one module on the top of another, and connect all the cables which are already well-sorted in different ports in the Matebox.



X1-Matebox

PV	
Max. input voltage [Vdc]	600
Max. short circuit current [A]	16/16
No. of MPP trackers	2
BATTERY	
Battery voltage range [V]	80-480
Max.charge/discharge current [A]	30
ON-GRID	
Rated voltage [Vac], frequency [Hz]	220/230/240, 50/60
Max. apparent on-grid input/output power [VA]	7500
Max. on-grid current [A]	32.6
OFF-GRID	
Rated voltage [Vac], frequency [Hz]	230, 50/60
Rated power [VA]	7500
Rated current [A]	32.6
GRID	
Rated grid voltage [Vac], frequency [Hz]	220/230/240, 50/60
Max. input current [A]	60
LOAD	
Rated voltage [Vac], frequency [Hz]	220/230/240, 50/60
Max. current [A]	60
ENVIRONMENT LIMIT	
IP class	IP65
Protection class	Class I
Operating temperature range [°C]	-35..... +60°C (derating at +45°C)
Storage temperature [°C]	-40..... +70°C
Humidity [%]	0~100 (condensing)
Altitude[m]	<3000
Over voltage category	III(AC), II(DC)
OTHER	
Cooling concept	Natural
DIMENSION AND WEIGHT	
Dimensions [mm]	482*437*185
Net weight [kg]	10

Triple Power 3.0 Battery

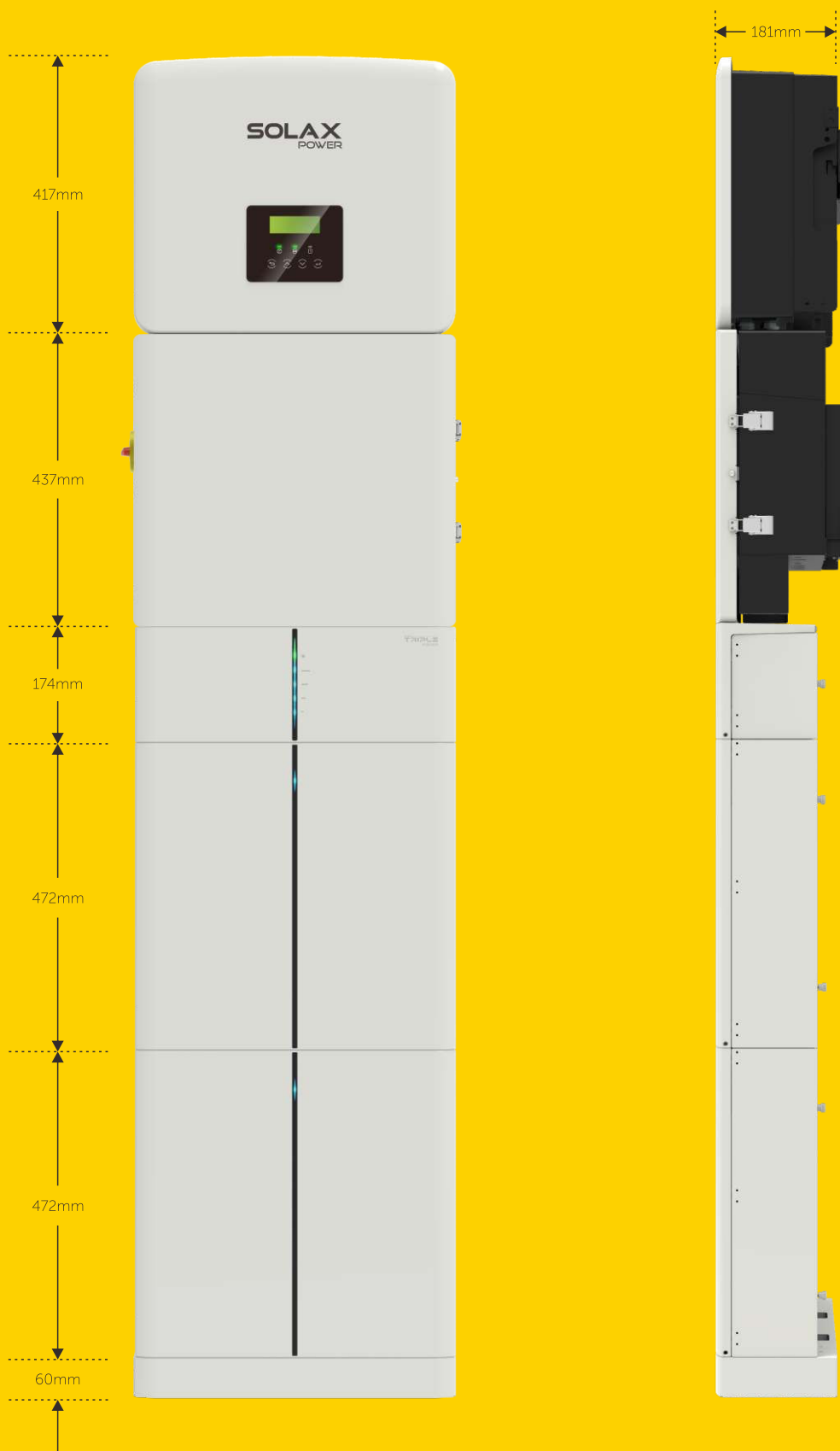
- Safest LiFePO₄ battery (30 Ah)
- Working temperature range:-30~50°C
- Smart temperature balancing
- Cycle life>6000 times
- IP67 protection level
- Less self consumption
- Quick installation
- No toxic heavy metals or caustic materials



	T-BAT H 3.0	T-BAT H 6.0*	T-BAT H 9.0*	T-BAT H 12.0*
Nominal Voltage [V]	102.4	204.8	307.2	409.6
Operating voltage range [V]	90-116	180-232	270-348	360-464
Total energy [kWh]	3.1	6.1	9.2	12.3
Usable energy [kwh]	3.1	6.1	9.2	12.3
Rated Capacity [Ah]	30			
Standard power [kW]	2.55	5.1	7.65	10.2
Max power [kW]	3.1	6.1	10.2	12.3
Recommend charge/discharge current [A]	25			
Maxcharge/discharge current [A]	30			
Faradic charge efficiency	99%			
Battery roundtrip efficiency	95%			
Cycle life [90% DOD]	6000 Cycles			
Expected life time / Warranty [year]	10			
Available charge/discharge temperature range [°C]	-30 to 50			
Storage temperature [°C]	-20 to 55 (3 months)		0 to 40 (1 year)	
Humidity [%]	0~100			
Altitude [m]	Below 4000			
Protection	IP67			
System to Inverter	RS485/CAN2.0			
Battery to battery/BMS	CAN2.0			
Master LED indicator	4LED (25%, 50%, 75%, 100%), 1LED (working mode)			
System Switch (on/off)	Button*1+Breaker*1			
Safety Certificate	CE/TUV Mark/IEC62619/IEC62040/IEC60529			
EMC	61000-6-1/2/3, 61000-3-2/3			
UN number	UN3840			
Hazardous materials classification	Class 9			
Transport testing requirement	UN38.3			
Dimensions(LxWxH) [mm]	MC0600: 482*174*148 HV10230: 482*472*148	MC0600: 482*174*148 HV10230: 482*472*148	MC0600: 482*174*148 HV10230: 482*472*148	MC0600: 482*174*148 HV10230: 482*472*148
Weight [kg]	MC0600: 7.5kg +HV10230: 33kg	MC0600: 7.5kg +2*HV10230: 66kg	MC0600: 7.5kg +3*HV10230: 99kg	MC0600: 7.5kg +4*HV10230: 132kg

* MC0600:Battery BMS (one MC0600 can be connected 1~4 HV10230)

* HV10230:Battery Pack









Global: +86 571-56260008

AU: +61 1300 476529
DE: +49 (0) 6142 4091664

UK: +44 2476 586998
NED: +31 (0) 852 737932

 www.solaxpower.com
 info@solaxpower.com